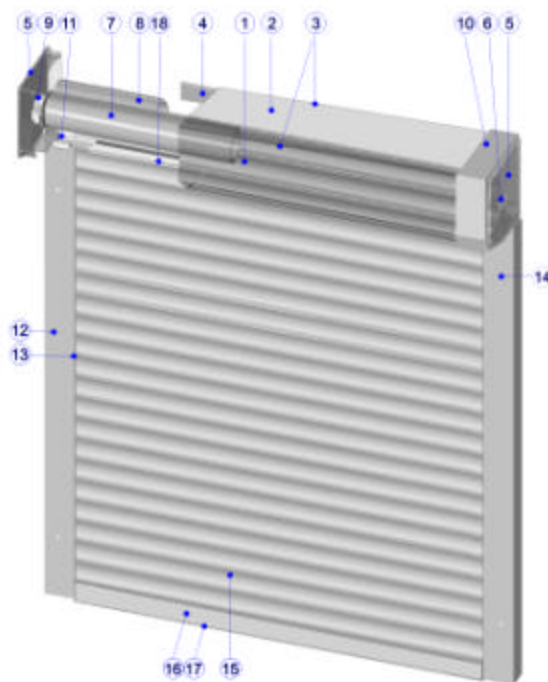


High Security Rolling Shutters



The new dimension of security arabella safety roller shutters



Range of application and implementation

Energy saving front mounted roller shutter for subsequent installation in new and old buildings. Burglary resistant, tested acc. to resistance class ER2

Benefits of the product

- Burglary protection, tested acc. to resistance class ER2
- Reinforced bottom rail, dismounting protection for the safety side guide rail and patented lifting up protection (top-safe-lock) for the shutter. Shutter made of extruded aluminium, aluminium box secured with steel brackets.
- Insulating air cushion between shutter and window saves energy.
- Screen from view
- Sun protection
- Darkening
- Sound insulation by optimum distance between shutter and window
- Weather protection
- Long life due to the use of first-class, corrosion resistant materials

- 1) profiled left roller faceplate
- 2) extruded top part
- 3) firm hinge joint
- 4) profiled right roller faceplate
- 5) box endcap
- 6) ball bearing
- 7) top-safe-shaft
- 8) top-safe-locking profile
- 9) crank handle drive (motor on request)

- 10) reinforcing box brackets
- 11) entering channel
- 12) safety and distance side guide rail
- 13) firm brush insert
- 14) safety screw connection
- 15) safety shutter
(TS – extruded aluminium, double without foam, ER2)
- 16) TS – bottom rail with steel insert
- 17) plastic profile for bottom rail
- 18) box sealing brush

RAU arabella complete - without problems

Aluminum Cover Box

3-part, consist of profiled left cover plate, right cover plate, extruded top part held together by a strong hinge joint to allow for maintenance access.
The left cover plate has a brush insert to keep debris out of the box.

The entire cover box is protected against intrusion by two end caps, built out of galvanized steel finished with powder coating, the end caps are in addition protected by two steel reinforcing brackets, also powder coated.

Security Side Tracks

made from extruded aluminum, reinforced and to dimensions of 2 1/4" x 1 3/4". The guide slot is equipped with two brush inserts to guarantee a quiet operation. Fastening of the side tracks is only possible when the shutter is open, therefore preventing access to the security screws while the shutter is in lock down.

Bottom Rail

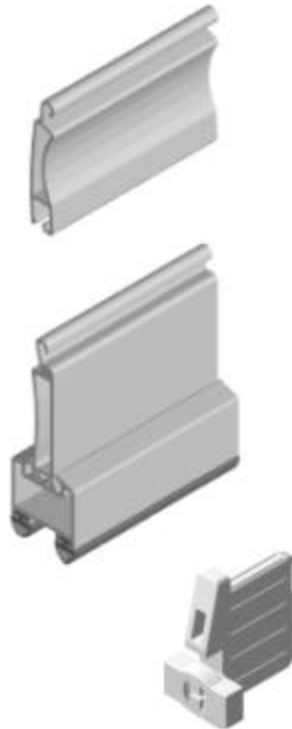
made from extruded aluminum, with inserted reinforcing steel extrusions.
Size 2" x 1"

Top-Safe-Shaft

aluminum shaft ø 2" x 3/32".

Top-Safe-Locking Mechanism

patented locking mechanism, preventing a lifting of the closed shutter.

**Operation:****Hand Crank**

crank operated at 5.33:1 bzw. 8:1 reduced, complete with plastic covered crank and magnetic crank holder. Maximum curtain weight which can be manually handled is 54 lbs. or maximum 3.8 sq. yard of curtain

Motorized

110 V integrated motor with upper and lower limit control and thermal protection

Motors can be wired into an existing home-security system.

Security Slats:**Typ TS**

double walled extruded aluminum with built-in light slots.

Size: 1 1/2" x 5/16"

Slats can be ordered powder coated or anodized

Weight: 18,0 lbs per sq. yard

Maximum Width: 2500mm or 98"

Maximum Height: 3000mm or 118"

Maximum Area: ≈ 6,5m²

Colors:

Standard in powder coated finishes RAL 9016 (white) or RAL 8014 (bronze)

Optional: Anodized to 10 different ELOXAL colors or powder coated to any RAL color. Additional cost is plus 15%

Typ TS

double walled extruded aluminum with built-in light slots.

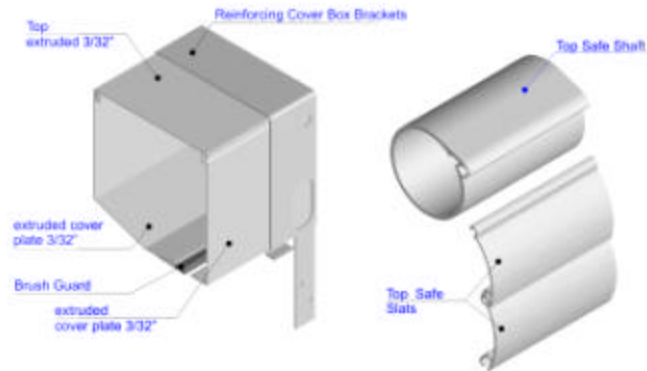
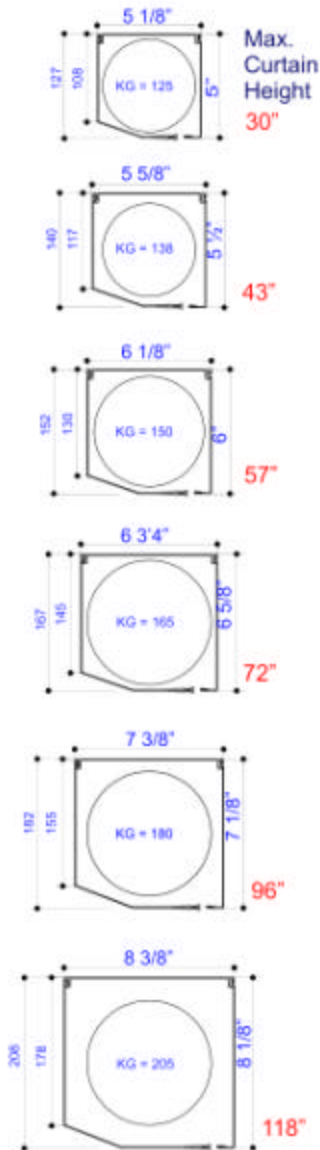
Size: 1 1/2" x 5/16"

Slats can be ordered powder coated or anodized

Bottom Rail

made from extruded aluminum, with inserted reinforcing steel extrusions.

Size 2" x 1"



Maximum Sizes

Typ	Mind. Breite [mm]	Max. Breite [mm]	Max. Höhe [mm]	Max. Fläche [m ²]
Kurbel	400	2500	3000	3,8
Motor	740	2500	3000	6,5

Prices below include standard color, hand crank operated and completely assembled shutter. Also included is shipping by ocean container and all import fees. Not included is installation.

Electric Motor: \$495.00
 Powder Coating to RAL colors: plus 15%

Height in feet

		3	4	5	6	7	8
Width in feet	3	\$ 900.00	\$1,036.80	\$1,173.60	\$1,317.60	\$1,483.20	\$1,660.80
	4	\$ 996.00	\$1,159.20	\$1,324.80	\$1,509.60	\$1,680.00	\$1,920.00
	5	\$1,125.60	\$1,332.00	\$1,550.40	\$1,749.60	\$1,975.20	\$2,244.00
	6	\$1,269.60	\$1,531.20	\$1,764.00	\$2,004.00	\$2,380.80	\$2,688.00
	7	\$1,399.20	\$1,687.20	\$1,956.00	\$2,359.20	\$2,635.20	\$2,983.20
	8	\$1,612.80	\$1,934.40	\$2,251.20	\$2,709.60	\$3,031.20	\$3,182.40
	10	\$1,819.20	\$2,196.00	\$2,702.40	\$3,079.20	\$3,196.80	