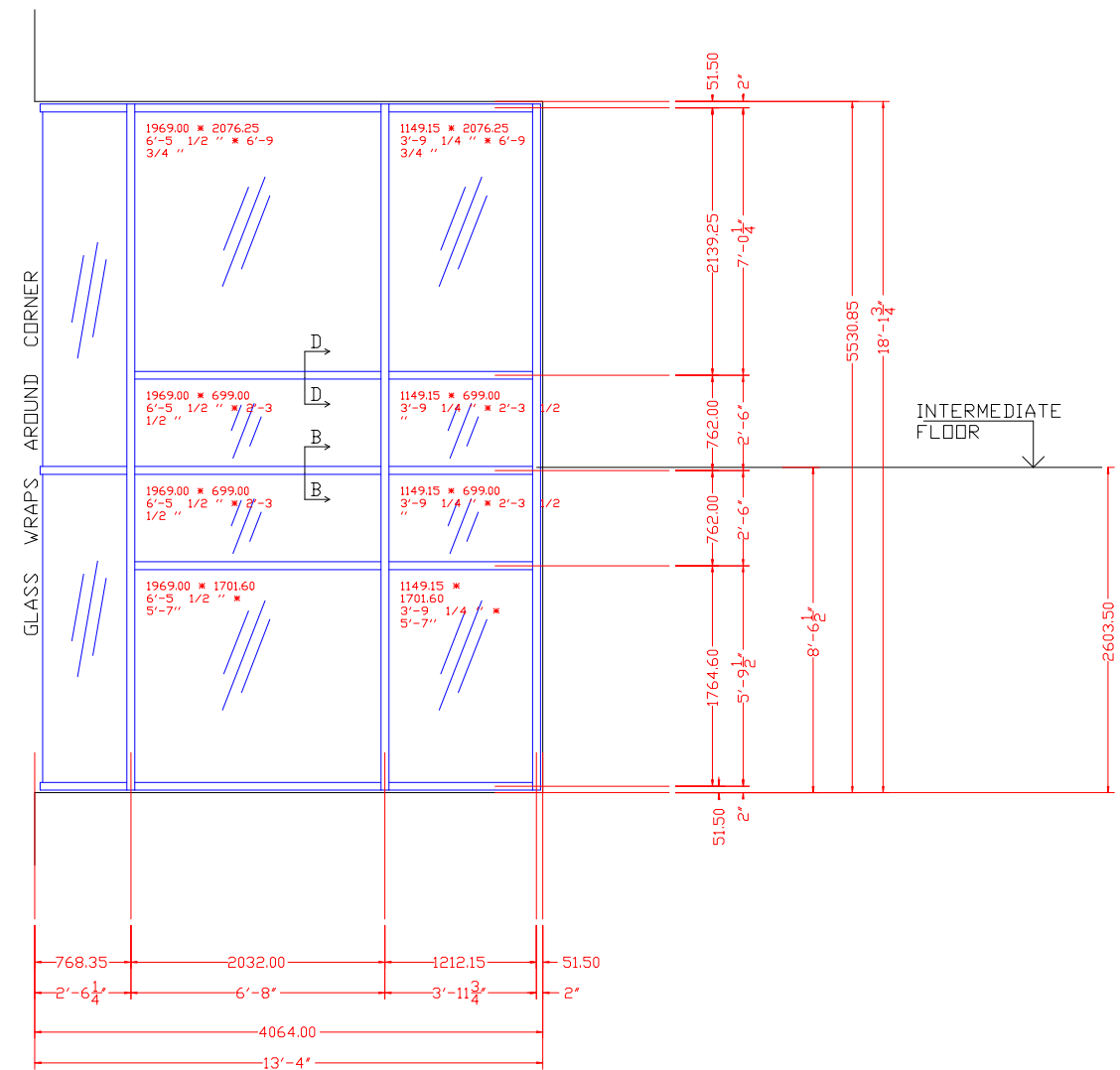
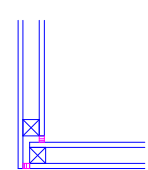


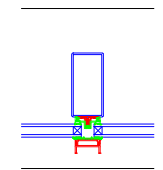
EAST



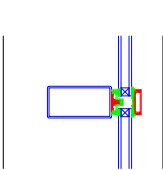
NORTH



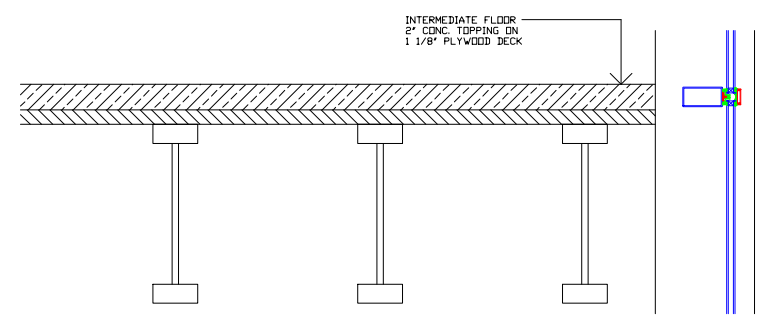
SECTION AA
DOUBLE GLAZED CORNER
NOT TO SCALE



SECTION CC
VERTICAL MULLION
NOT TO SCALE



SECTION DD
HORIZONTAL MULLION
NOT TO SCALE



SECTION BB
INTERMEDIATE FLOOR EDGE
NOT TO SCALE

